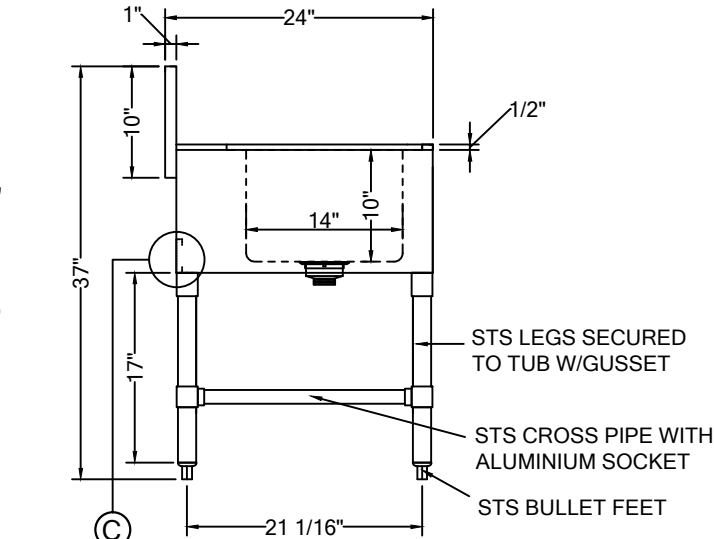
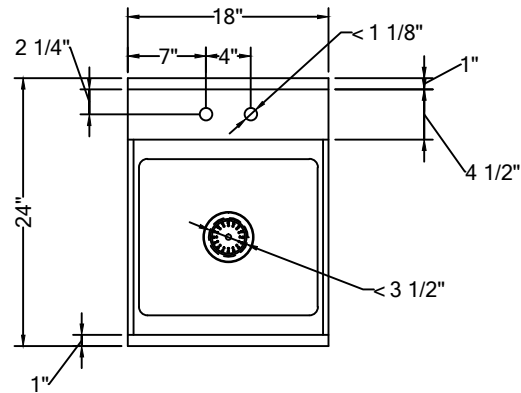


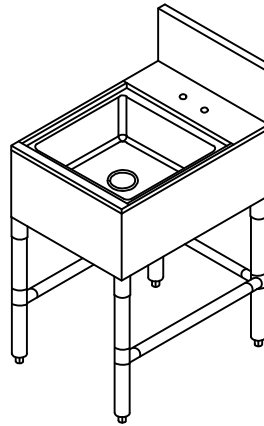
FRONT ELEVATION



SEE DETAIL "C" PLAN VIEW

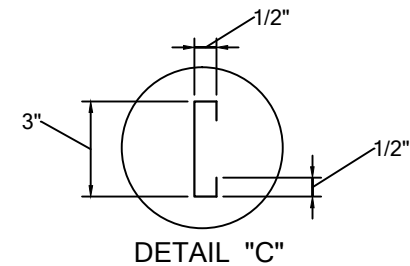
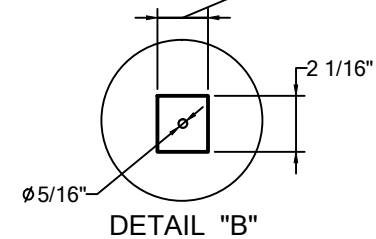
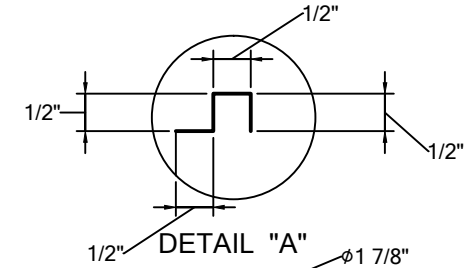


PLAN VIEW



ISOMETRIC

- 18 GA. 304 STAINLESS STEEL CONSTRUCTION.
- STS LEGS WITH ADJUSTABLE STS BULLET FEET.
- DECK MOUNT FAUCET HOLES ON 4" O.C.
- DRAIN BASKET INCLUDED.



DRAWIN FOR :	MAT.	TOP : 18GA. 304S/S	DATE	REVISIONS
REF. NO :	REQ'D/ITEM :	BASE :	Aug / 07 / 2017	change gusset location
ITEM NAME : Bar Hand Sink	DATE : Dec / 29 / 2017			
PROD. NO. : TA-BHS2418	BY :			
SCALE: 1/2" = 1'-0"	CHECKED BY :			

Tarrison
Products Ltd.